

ASCO 7000 SERIES Power Transfer Switches



ASCO[®] 7000 SERIES



Critical Loads Demand ASCO

- **Healthcare Facilities**
- **Commercial Buildings / Industrial Buildings**
- **Web Hosting, Internet Data Centers**
- **Telecom Central Offices**
- **Process Manufacturing / Wafer Fabrication Plants /**
- **Distributed Power / Load Management**

As we become more dependent on the quality and reliability of electrical power, interruption or complete loss of power can create serious and even crippling financial losses, or impose dangers to life and safety.

ASCO Power Technologies (ASCO) provides the solutions to handle the transfer of critical loads to emergency sources reliably and with state of the art products. Using ASCO products can mean the difference between a minor inconvenience and a major catastrophe. You'll find ASCO Power Transfer Switches wherever there is a critical load to be protected.

When flexibility in power switching is a must, ASCO offers a variety of product solutions to meet virtually every application requirement, including distributed generation applications. That's why the 7000 SERIES is available in open, delayed, closed and closed soft load configurations. Additionally, switched or overlapping neutral options provide for reliable operation of ground fault protection systems and reduction of voltage transients from unbalanced load switching. ASCO Power Transfer Switches are the first CE Marked, IEC 60947-6-1 compliant Transfer Switches in the world.

ASCO® The Recognized Leader in Power Transfer Switch Technology Offers the Most Advanced Transfer Switches in the World.

7000 SERIES

ASCO Power Transfer Switches are the standard of the industry. High speed transfer of loads between alternate sources of power, regardless of ampacity size, is achieved by a reliable, field proven solenoid operating mechanism. When combined with a programmable microprocessor controller with keypad and LCD display, they offer the most advanced method of transferring all types of loads, such as motors, electronic drives, UPSs and microprocessor based systems. 7000 SERIES Power Transfer Switches are available open or enclosed, in ampacity sizes from 30 through 4000 amperes with the largest selection of optional accessories offered anywhere. All switching configurations are available with an integrally mounted bypass-isolation switch and/or rated for use in service entrance applications.



Fig. 1: Three Pole 7000 SERIES Automatic Transfer Switch rated 1600 amperes (shown with optional front connected terminals and Power Manager).

7000 SERIES Power Transfer Switches Product Features

- Conventional two-position transfer configuration, plus closed and delayed transition modes of operation. All configurations available with either automatic or non-automatic control.
- UL listed to 1008 Transfer Switch Equipment & CSA certified to CSA 22.2 No.178-1978 Automatic Transfer Switches.
- Qualified and certified to IEC 60947-6-1, CE marked (optional). (Limited to certain accessories.)
- Rated up to 600 VAC, 30 through 4000 amperes.
- Reliable and field proven solenoid operating mechanism.
- High withstand and close-on ratings including short time withstand current rating for optimum flexibility in circuit breaker coordination (600-4000 amperes).
- Solid, switched, or overlapping neutral conductor options.
- Front replaceable main and arcing contacts (800-4000 amperes).
- Programmable microprocessor controller with keypad and LCD display.
- Centrally located terminal block for customer control connections (260-4000 amperes).
- 16mm, industrial grade control switches and indicating lights.
- Switch position LED indicators and source acceptability lights.
- Standard ground conductor connections.
- Four auxiliary contacts, two contacts closed when switch is in normal position and two contacts closed when switch is in emergency position.
- Local/remote communications capability for interfacing with ASCO PowerQuest® or SiteWeb® communication products.

Closed Transition Transfer Switching

ASCO Automatic Closed Transition Transfer Switches feature main contacts that overlap, permitting the transfer of electrical loads without power interruption. The switch transfers in a make-before-break mode if both sources are within acceptable parameters. Control logic continuously monitors source conditions and automatically determines whether the load transfer should be open (conventional non-overlap mode) or closed transition. Available 150 through 4000 amperes.

Closed Transition Transfer within 5 electrical degrees is achieved passively, without control of engine generator set. Therefore, no additional control wire runs are required between the ATS and engine generator set governor. Plus, protective relaying may not be required under normal operation since the contact overlap time is less than 100 milliseconds (consult your local utility on protective relay requirements).

Failure to synchronize indication and extended parallel time protection is built-in to all 7000 SERIES closed transition controls to prevent abnormal operation.



Fig. 2: Four pole, Closed Transition Transfer Switch rated 1000 amperes in Type 1 enclosure.

Delayed Transition Transfer Switching

ASCO Delayed Transition Transfer Switches are designed to provide transfer of loads between power sources with a timed load disconnect position for an adjustable period of time. Applications include older style variable frequency drives, rectifier banks, and load management applications.

- Available 150 through 4000 amperes.
- Utilizes reliable, field proven solenoid operating mechanisms.
- Mechanical interlocks to prevent direct connection of both sources.
- Indicator light (16mm, industrial grade type LED) for load disconnect position.
- Adjustable time delay for load disconnect position.



Fig. 3: Four pole, Delayed Transition Transfer Switch rated 2000 amperes.

Non-Automatic Transfer Switching

ASCO Non-Automatic Transfer Switches are electrically operated units which are operated with manual control switches mounted locally or at remote locations.

- Sizes from 30 through 4000 amperes.
- Microprocessor based controller provides for addition of optional accessories.
- Controller prevents inadvertent operation under low voltage conditions.
- Low control circuit operating currents allow for long line runs between remotely mounted manual control switches and the transfer switch.
- Source acceptability lights inform operator if sources are available to accept load.
- Standard inphase monitor can be activated for transferring motor loads.



Fig. 4: Three pole Non-Automatic, electrically operated 400 ampere switch shown in Type 1 enclosure.

Withstand and Close-On Ratings for all 7000 SERIES Products⁽¹⁾⁽²⁾

Switch Rating (Amps)		UL 1008 Withstand and Close-On Ratings					Short Time Withstand Ratings ⁽⁴⁾	Short Time Duration (Cycles)	Tested Voltages
Transfer Switches	Bypass Switches	Current - Limiting Fuse Rating	Max. Fuse Type		Specific Breaker Rating	"Any" Breaker (3) Rating			
			amps	types					
30	-	100,000	60	J	10,000	10,000	N/A	-	480V
70, 100, 125, 150, 200	-	200,000	200	J	22,000	10,000	N/A	-	480V
230	-	100,000	300	J	22,000	10,000	N/A	-	480V
260, 400, 600	150, 260, 400	200,000	600	J	42,000	35,000	N/A	-	600V
		200,000	800	L					
260, 400, 600	-	200,000	600	J	50,000	35,000	N/A	-	480V
		200,000	800	L					
260, 400, 600	-	200,000	600	J	65,000	65,000	N/A	-	240V
		200,000	800	L					
800, 1000, 1200	600, 800 1000, 1200	200,000	1600	L	65,000	50,000	36,000 ⁵	18	600V
1600, 2000 ⁵	1600, 2000 ⁶	200,000	3000	L	100,000	100,000	65,000	30	600V
3000	3000	200,000	4000	L	100,000	100,000	65,000	30	600V
4000	4000	200,000	6000	L	100,000	100,000	65,000	30	480V

Notes: 1) All values are available symmetrical RMS amperes and tested in accordance with the withstand and close-on requirements of UL 1008. See publication 1128 for more information on withstand and close-on ratings for ASCO transfer switches.

2) Application requirements may permit higher withstand ratings for certain size switches. Contact ASCO for guidance if available short circuit current exceeds the WCR ratings shown.

3) "Any" breaker ratings are based on 1.5 cycles for 30 - 230 amp & 3 cycles for 260 - 4000 amps. Applicable to breakers with instantaneous trip elements.

4) Short time ratings are provided for applications involving breakers that do not have instantaneous trips for system coordination.

5) Short time rating applicable to transfer switch design only.

6) Optional front connected service limited to 85,000 amps for specific and any breaker rating.

Automatic Transfer Bypass-Isolation Switching

ASCO Automatic Transfer & Bypass-Isolation Switches are available in open transition, closed transition and delayed transition designs. The bypass and isolation features allow power transfer switches to be inspected, tested, and maintained without any interruption of power to the load.

- Available 150 to 4000 amperes.
- Allows bypass-isolation without load interruption.
- Bypass switch and transfer switch have identical electrical ratings.
- Heavy duty mechanical interlocks prevent undesirable operation.
- Bypass contacts carry current only during bypass mode.
- Transfer switch is drawout design for ease of maintenance.
- Bypass and isolation handles are permanently mounted. The bypass switch has dead front quick-make, quick-break operation for transferring of loads between live sources.
- Bypass switch is fully rated for use as a manual 3-position transfer switch.
- Bypass and isolation functions are simple, requiring a total of two operating handles.
- No toggle switches, push buttons, selector switches or levers are required for bypass-isolation operation.
- Mechanical indicators show bypass and transfer switch positions.
- 600 -1200 ampere available in shallow depth, front connected or rear connected designs.



Fig. 5: Three Pole 7000 SERIES Automatic Bypass-Isolation Transfer Switch Rated 1000 Amps

Transfer Switch Drawout Features (600-3000 amperes)

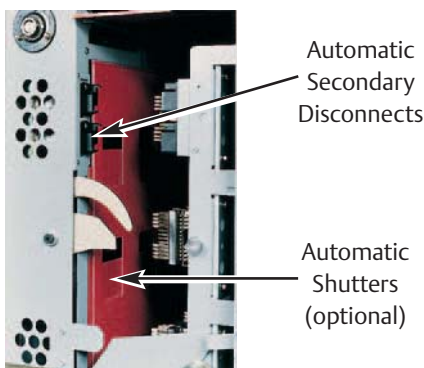


Fig. 6: Bypass-Isolation Transfer Switch secondary disconnects and optional automatic shutters.

- Automatic secondary disconnects remove all control power as switch is withdrawn.
- Drawout carriage provides for easy transfer switch maintenance and/or removal via commercially available breaker hoists.
- For optional transfer switch lifting yoke, specify accessory 82B.
- For optional automatic shutters which close when the transfer switch is withdrawn to provide bus isolation, specify accessory 82C.(1000-3000A only)

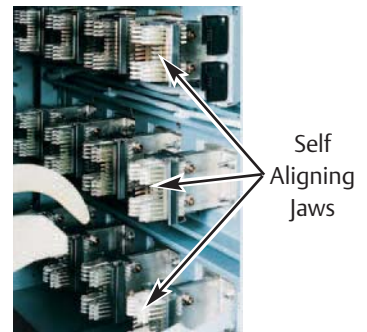


Fig. 7: Bypass-Isolation Transfer Switch self aligning power jaws.

ASCO® 7000 SERIES Power Switching Solutions

Bypass and Isolation Handles - Simple as 1, 2, 3

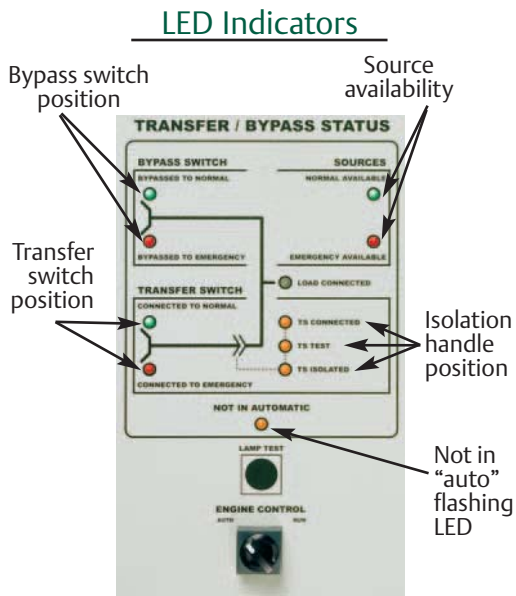


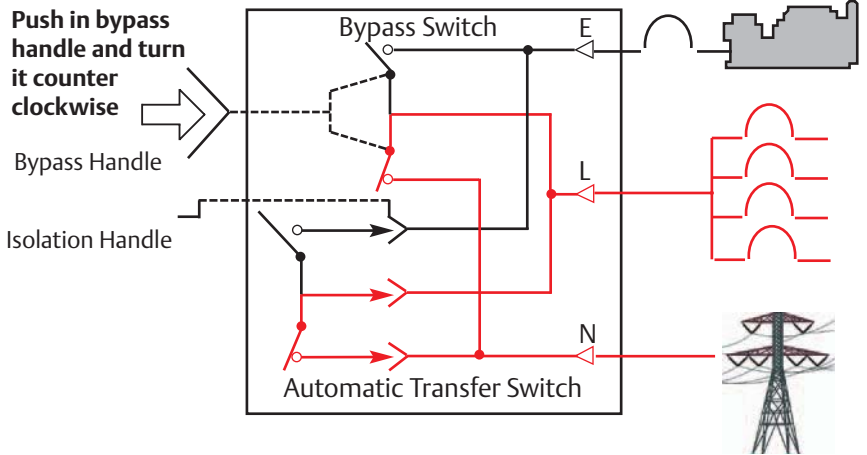
Fig. 8: Transfer Bypass Status Panel



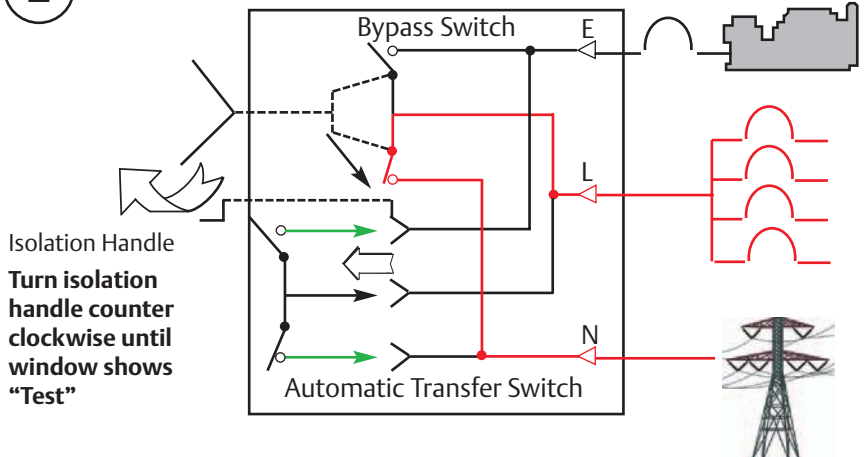
Mechanical isolation handle position window (connected/test/isolate)

Fig. 9: Bypass-Isolation Switch user interface

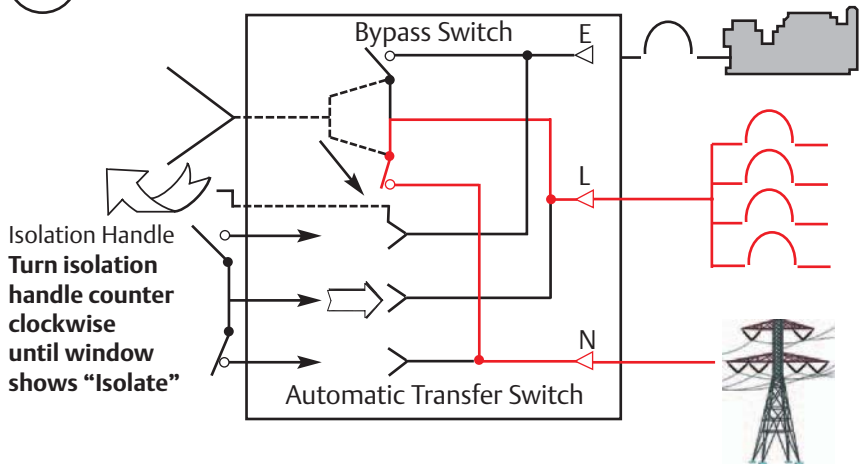
1 Bypass to Normal



2 Test Position



3 Isolation Position



Key:

- Represents Current Flow
- In test position control panel remains energized to allow for electrical operation of a transfer switch.

ASCO[®] 7000 SERIES Service Entrance Power Transfer Switches

The ASCO Service Entrance Power Transfer Switch combines automatic power switching with a disconnect and overcurrent protective device on the utility source. The power transfer switch meets all National Electric Code requirements for installation at a facility's main utility service entrance. Service entrance rated transfer switches generally are installed at facilities that have a single utility feed and a single emergency power source. A circuit breaker serves as the utility disconnect and links are provided to disconnect both neutral and ground connections.

This product is UL 1008 and UL 891 listed and is available up to 600V and 4000A in Standard, Delayed, Closed Transition, Soft Load, and Bypass Isolation Configurations.

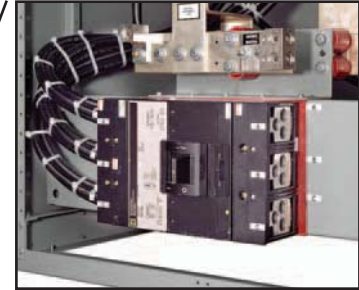
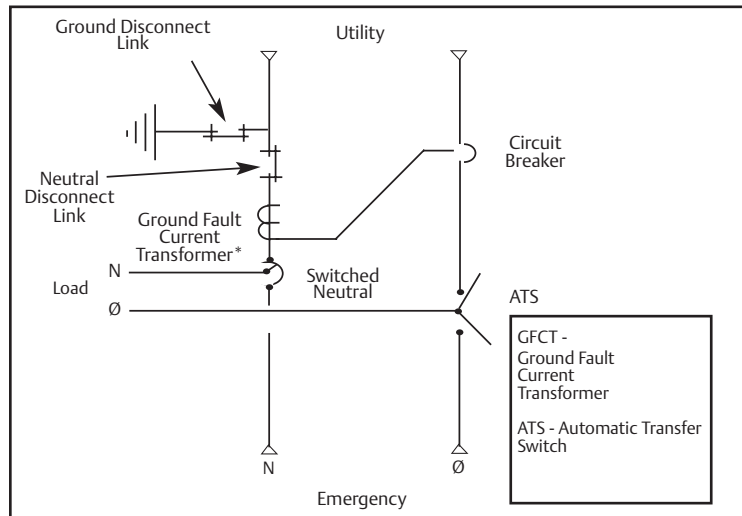


Fig. 10: Ground and neutral disconnect links

Standard Features

- Available from 150 to 4000 amperes
- ASCO 7000 SERIES Power Transfer Switch, UL 1008 Listed
- Standard UL Type 1 Enclosure
- Disconnect and overcurrent protective device on the utility source: molded case circuit breaker 150 to 2000 Amp; insulated case 3000 to 4000 Amp
- Disconnect link on Neutral
- Disconnect link on Ground
- Ground and Neutral Bus, all silver-plated copper
- Solderless screw type terminals for External Power Connections
- Labeled UL 891, meets all NEC requirements for service entrance
- Internet Enabled Command and control available with optional ASCO 5500 SERIES Thin Web Server



One line diagram of a typical service entrance rated transfer switch available in Solid, Switched or Overlapping Neutral

* Ground fault trip protection provided on sizes of 1000 amperes and above

- **Enclosures - Secure Double Door**
 - ◆ UL Type 3R w/strip heater & thermostat
 - ◆ UL Type 4 or 4X
 - ◆ UL Type 12
- **Connections**
 - ◆ Crimp lugs
 - ◆ Bus Riser on Normal, Emergency or Load
- **Protective Relays/Metering**
 - ◆ Accessory 85L, see page 15
- **Surge Suppression**
 - ◆ Accessory 73, 80KA Surge protector (see pg. 14)
- **Communications**
 - ◆ ASCO 72A Communication interface module
 - ◆ ASCO **PowerQuest**[®], see page 18
 - ◆ ASCO 5500 SERIES Thin Web Server for internet connection, see page 21
- **Additional Breaker(s)**
 - ◆ Circuit Breaker on Emergency
 - ◆ Load Distribution Panel
- **Optional high AIC ratings on breakers**

Consult ASCO for additional features

ASCO[®] 7000 SERIES Service Entrance Power Transfer Switches

Ordering Information

To order an ASCO 7000 SERIES Service Entrance Power Transfer Switch, complete the following catalog number.

7 A US + A + 3 + 400 + N + 5X + C

		Product	Neutral Code *	Phase Poles	Amperes	Voltage Code	Grp Code	Enclosure
A	Automatic	US Conventional 2-Position	A Solid Neutral (standard)	2	70	C 208	5	C Type 1 enclosure
N	Non-Automatic	UB Open Transition Bypass	B Switched Neutral C Overlapping Neutral	3	100	D 220	5X-optional accessories	M Type 3R secure double door
					150	E 230		N Type 4 secure double door
				200	F 240	P Type 4X secure double door		
				225	H 380	Q Type 12 secure double door		
				250	J 400			
				400	K 415			
				600	L 440			
				800	M 460			
				1000	N 480			
				1200	P 550			
	1600	Q 575						
	2000	R 600						
	3000							
	4000							

*Note. Switches rated 150, 600-3000 amps available with 2, 3 or either conventional switched neutral (4 poles) or overlapping neutral (optional). For 4 pole applications on switches rates 150 to 400 amps (bypass switches only) and 4000 amps specify overlapping switched neutral (optional). Conventional switched neutral is provided on delayed transition transfer products when specified.

The Example Catalog Number above is 7AUSA3400N5XC (X is used to specify optional accessories).

Dimensions and Weights for non-bypass configurations only in type 1 enclosures.*

Switch Rating amps	Width inches (mm)	Height inches (mm)	Depth inches (mm)	Weight lbs (kg)
70 - 225	36.5 (927)	48.5 (1232)	13.25 (337)	408 (188)
250, 400	36.5 (927)	48.5 (1232)	13.25 (337)	408 (188)
600, 800	38 (965)	91 (2311)	28 (711)	820 (378)
1000-1200	38 (965)	91 (2311)	48 (1219)	1105 (510)
1600, 2000	38 (965)	91 (2311)	48 (1219)	2590 (1198)
3000	38 (965)	91 (2311)	72 (1829)	4590 (2148)
4000	46 (1168)	91 (2311)	72 (1829)	5640 (2609)

Dimensions and Weights for non-bypass configurations only in type 3R enclosures.*

Switch Rating amps	Width inches (mm)	Height inches (mm)	Depth inches (mm)	Weight lbs (kg)
70 - 225	36.5 (927)	48.5 (1232)	13.25 (337)	408 (188)
250, 400	36.5 (927)	48.5 (1232)	13.25 (337)	408 (188)
600, 800	38 (965)	91 (2311)	28 (711)	820 (378)
1000-1200	38 (965)	91 (2311)	48 (1219)	1105 (510)
1600, 2000	38 (965)	91 (2311)	48 (1219)	2590 (1198)
3000	38 (965)	91 (2311)	72 (1829)	4590 (2148)
4000	46 (1168)	91 (2311)	72 (1829)	5640 (2609)

Ampere Interrupting Capacity (AIC) Ratings

Switch Rating amps	AIC Rating (kA)	
	Standard	Standard
70 - 225	25	35
250	25	35
400	35	35
600, 800	65	N/A
1000, 1200	65	N/A
1600, 2000	65	100
3000	100	N/A
4000	100	N/A

*All dimensions and weights shown are approximate and should not be used for construction purposes. Certified dimensions can be furnished upon request.

ASCO® 7000 SERIES Microprocessor Controller



Fig. 11: 7000 SERIES Microprocessor Controller.

The 7000 SERIES Microprocessor Based Controller is used with all sizes of Power Transfer Switches from 30 through 4000 amperes. It represents the most advanced digital controller in the industry and includes, as standard, all of the voltage, frequency, control, timing and diagnostic functions required for most emergency and standby power applications.

Because of severe voltage transients frequently encountered with industrial distribution systems, the microprocessor logic board is separated and isolated from the power board as shown below. This improves electrical noise immunity performance and helps assure compliance with the rigorous transient suppression standards highlighted below.

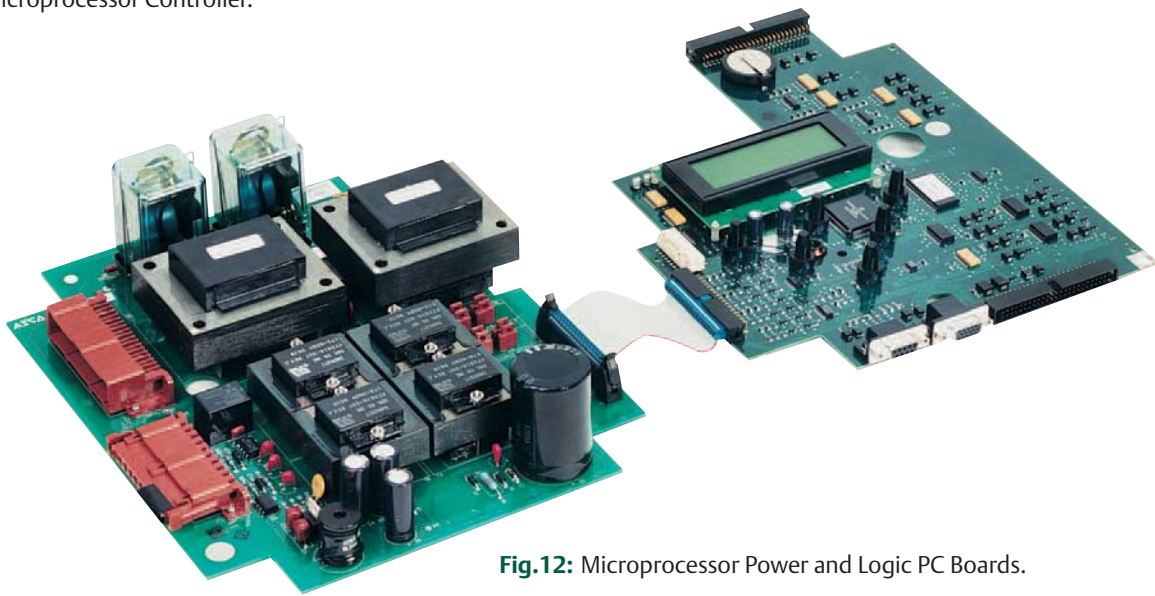


Fig.12: Microprocessor Power and Logic PC Boards.

7000 SERIES Microprocessor Based Controller	
Emission Standard - Group 1, Class A	EN 55011:1991
Generic Immunity Standard, from which:	EN 50082-2:1995
Electrostatic Discharge (ESD) Immunity	EN 61000-4-2:1995
Radiated Electromagnetic Field Immunity	ENV 50140:1993
Electrical Fast Transient (EFT) Immunity	EN 61000-4-4:1995
Surge Transient Immunity	EN 61000-4-5:1995
Conducted Radio-Frequency Field Immunity	EN 61000-4-6:1996
Voltage Dips, Interruptions and Variations Immunity	EN 61000-4-11:1994

ASCO® 7000 SERIES Microprocessor Controller

Features

- Digital microprocessor.
- Touch pad programming of features and settings without the need for meters, or variable power supplies.
- Sixteen (16) selectable operating voltages available in a single Controller.
- On-board diagnostics provide control panel and ATS status information to analyze system performance.
- Displays and counts down active timing functions.
- Selectable multi-language display (English, German, Portuguese, Spanish, or French. For others contact ASCO).
- Password protection to prevent unauthorized tampering of settings.
- Remote monitoring and control with ASCO PowerQuest® and SiteWeb™ communications products. Specify optional accessory 72A or 72E.
- Load shed option for SYNCHROPOWER® bus optimization applications. Specify optional accessory 30B.
- Historical event log
- Statistical ATS systems monitoring information

Voltage and Frequency Sensing

- 3-Phase under and over voltage settings on normal and emergency sources.
- Under and over frequency settings on normal and emergency.
- True RMS Voltage Sensing with +/- 1% accuracy; Frequency Sensing Accuracy is +/- 0.2%.
- Selectable settings: single or three phase voltage sensing on normal and emergency; 50 or 60Hz.
- Phase sequence sensing for phase sensitive loads.
- Voltage unbalance detection between phases.

Status and Control Features

- Output contact (N/O or N/C) for engine-start signals.
- Selection between “commit/no-commit” on transfer to emergency after engine start and normal restores before transfer.
- Advanced inphase algorithm which automatically measures the frequency difference between the two sources and initiates transfer at appropriate phase angles to minimize disturbances when transferring motor loads.
- Event log displays 99 logged events with the time and date of the event, event type and event reason.
- Output signals for remote indication of normal and emergency source acceptability
- Statistical ATS/System monitoring data screens which provide:
 - Total number of ATS transfers.
 - Number of ATS transfers caused by power source failure.
 - Total number of days ATS has been in operation.
 - Total number of hours that the normal and emergency sources have been available.

Time Delays

- Engine start time delay - delays engine starting signal to override momentary normal source outages - adjustable 0 to 6 seconds.
- Transfer to emergency time delay - adjustable 0 to 60 minutes.
- Emergency source stabilization time delay to ignore momentary transients during initial generator set loading - adjustable 0 to 6 seconds.
- Retransfer to normal time delay with two settings:
 - Power failure mode - 0 to 60 minutes.
 - Test mode - 0 to 60 minutes.
- Unloaded running time delay for engine cooldown - adjustable 0 to 60 minutes.
- Pre and post transfer signal time delay for selective load disconnect with a programmable bypass on source failures - adjustable 0 to 5 minutes. This signal can be used to drive a customer furnished relay, or for (2) sets of double throw contacts rated 3 amps at 480 volts AC, specify ASCO optional accessory 31Z.
- Fully programmable engine exerciser with seven independent routines to exercise the engine generator, with or without loads, on a daily, weekly, bi-weekly or monthly basis.
- Contains all alarm signals, logic and time delays for use with closed transition switches.
 - Insynch time delay - 0 to 3 seconds.
 - Failure to synchronize - 1 to 5 minutes.
 - Extended parallel - 0.1 to 1.0 seconds.
- Delayed transition load disconnect time delay - adjustable 0 to 5 minutes.

ASCO® 7000 SERIES User Controls and Indicators

Control Switches and Indicating Lights for Conventional 2-Position Switches

- Switch position indicating lights (16 mm, industrial grade LEDs).
- Source acceptability indicating lights with true indication of the acceptability of each source, as determined by the voltage, frequency, voltage unbalance, and phase sequence settings of the control panel (16mm, industrial grade LEDs).
- Three position (16mm, industrial grade type) selector switch:
- Automatic: Normal maintained position.
- Test: Momentary position to simulate normal source failure for system test function.
- Reset Delay Bypass: Momentary position to bypass transfer and re-transfer time delay.

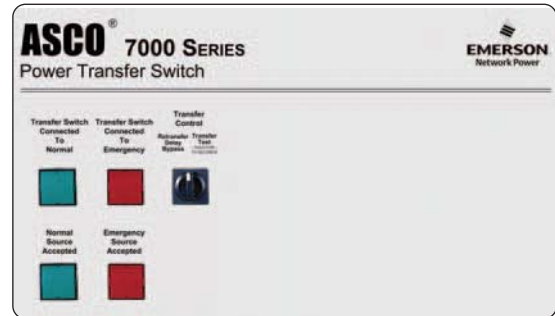


Fig. 13: 7000 SERIES User Controls and Indicators.

Control Switches and Indicating Lights for Closed Transition Switches



Fig. 14: 7000 SERIES User Controls and Indicators.

- Extended Parallel Time - Provides visual indication when the pre-set extended parallel time has been exceeded. The controls automatically open the emergency or normal main contacts. Separate contact also available to shunt trip external breaker.
- Failure To Synchronize - Visually displays a failure to synchronize alarm if the time delay settings is exceeded, during closed transition transfer operation.
- TS Locked Out - Prevents transfer in either direction if the extended parallel time is exceeded.
- Alarm Reset - Resets extended parallel and failure to synchronize alarms.
- Closed Transition Bypass - Pushbutton allows transfer between sources in an open transition mode.

7000 SERIES Power Control Center



Fig. 15: 7000 SERIES Power Control Center.

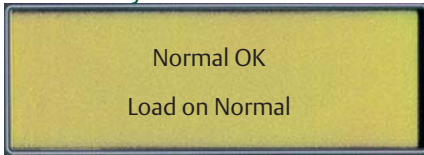
The 7000 SERIES microprocessor controller is a Power Control Center which allows the user to easily access detailed information on: system status; power source parameters; voltage, frequency and time delay settings; optional feature settings; historical event log; and system diagnostics. A four line, (20) character LCD has a backlit display which enables easy viewing under all conditions. The user can navigate through all screens using only six buttons, which also allows selection of: (18) different source parameter settings; (16) standard time delays; (12) standard feature settings; up to seven independent engine exercise routines; and even the language (English, German, Spanish, French, etc.) which appears on the display.

Since the Power Control Center must be visible and operable through the enclosure door, it has been qualified for use in industrial and outdoor applications. This includes installation in Type 3R (outdoor/rainproof), 4 (weatherproof) and 12 (indoor/industrial) enclosures.

ASCO® 7000 SERIES Power Control Center Screens

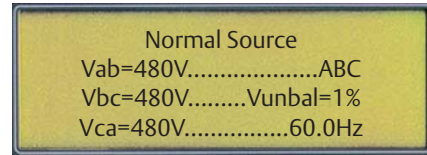
Status

System Status



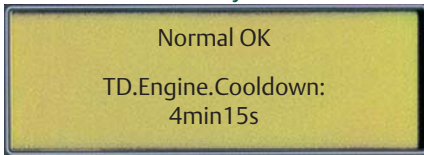
Displays system status in clear, concise language. Message shown indicates normal source is acceptable and the load is connected to the normal source.

Source Status



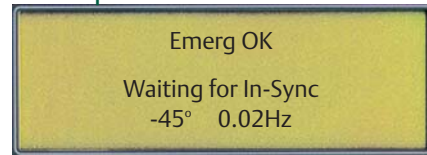
Displays voltage for each phase, frequency, phase rotation and voltage unbalance for both normal and emergency sources.

Time Delay Status



Active time delay status displays time remaining until next control event.

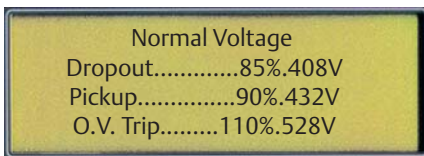
Inphase Transfer Mode



Displays the relative phase angle between sources and frequency differential to indicate the controller is awaiting an inphase condition.

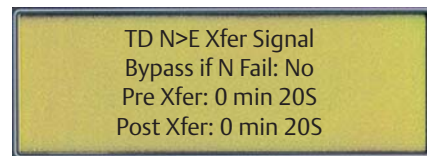
Settings

Voltage and Frequency Settings



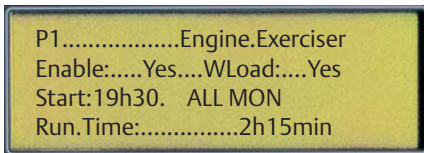
Provides voltage and frequency setting values for normal and emergency sources. Voltage pick-up, dropout and trip settings are set in percentage of nominal voltage and are also displayed in rms voltage values.

Time Delay Settings



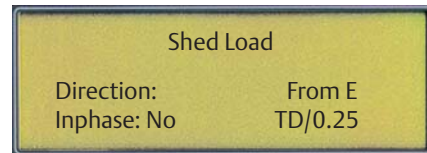
Provides direct reading display for setting time delays.

Engine Exerciser



Seven independent programs, load/no load selection, flexible run times and daily, weekly, bi-weekly and monthly exercise routines.

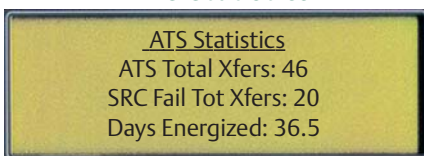
Feature Settings



Standard features can be activated with the keypad. As an example, when enabled, the “shed load” option causes the transfer switch to transfer the load off of the specified source. If desired, the load shed transfer can be made inphase.

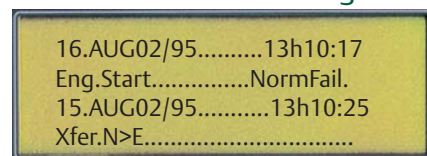
Data Logging

ATS Statistics



Instant availability of statistical information on total number of ATS transfers, number of transfers caused by power failures and total days controller has been energized, plus more.

Historical Event Log



Displays detailed information for last 99 events, including time of occurrence, length of event, date and reason for event.

ASCO® 7000 SERIES Optional Accessories

Time Delays

- 2C Provides an extended time delay on engine starting. The standard feature one time delay is adjustable from zero to six seconds. Accessory 2C allows this time delay to be adjustable from zero to sixty minutes in one second intervals factory set at five minutes.
- 1G Similar to accessory 2C except using 24 volt DC external input signal. 7000 SERIES controller remains active when both power sources are de-energized

Manual Controls for Automatic Transfer Switches

- 6C Reset switch for manual retransfer to normal with automatic retransfer in the event of emergency source failure.
- 6D Selector switch for automatic/manual retransfer to normal. Automatic bypass if emergency fails.

Engine Generator Controls and Accessories

- 12 Three position engine control selector switch. Positions: 1- Stop 2- Automatic 3- Engine Test

Note: Switches with accessory 12 must be labeled as a non-automatic transfer switch according to UL 1008.

Engine controls containing "engine stop" positions should be located at the engine generator. (Consult ASCO for application assistance.)

Indicators

- 14A/14B Additional auxiliary contact sets to indicate switch position. Two sets are standard. Specify total number of sets if more are required.
- 18B Two-pole, double-throw contacts operate when emergency source voltage is present at transfer switch terminals.
- 18G Two-pole, double-throw contacts operate when normal source voltage is present at transfer switch terminals.
- 99 "Push-to-Test" feature on all pilot light indicators.

Customer Control Circuits

- 30A Load-shedding circuit initiated by opening of a customer-supplied contact.
- 30B* Load-shedding circuit initiated by removal of customer-supplied control voltage. *(Specify voltage).
- 31Z Selective load disconnect control contacts (two provided) which operate with time delay prior to and/or after load transfer and retransfer.
- 43R Terminal block for all customer control connections on 30-150 amp only (standard on all other sizes).

Note: An externally operable quick-make, quick-break (QM QB), manual handle is available on some 7000 SERIES product configurations. (Consult ASCO for guidance.)

Neutral Conductor Options

- Solid neutral, with fully-rated terminals. (AL-CU) UL Listed.
- Conventional neutral switching pole.
- Overlapping neutral transfer contacts. Allows for proper ground-fault sensing and avoids generator voltage transients during transfer.

Note: Specify neutral option in catalog number, see page 21 for instructions.

Extension Harness

- 37B Six foot (6') extension harness to increase distance between transfer switch and control panel on open-type units.

Analog Load Metering Options

- 23B Three phase ammeter with selector switch (with current transformers and shorting blocks).
- 24B Three phase voltmeter with selector switch.

Note: Refer to ASCO 5200 SERIES Power Manager on page 15 which provides voltage, frequency and power monitoring.

Serial Communications

- 72A Serial communication module for remote communications to ASCO PowerQuest® products.
- 72E Connectivity module for remote communications using ethernet TCP/IP networks

Surge Protection

ASCO Pulsar 450 rated 40KA

- 73AC1 Normal source protection. (3Ø, 4wire WYE)
- 73AC2 Emergency source protection. (3Ø, 4wire WYE)
- 73AC3 Load side protection. (3Ø, 4wire WYE)

Note: Other distribution voltages available (Contact ASCO).

Special Applications

- 111A Generator - to - Generator for Standby Applications
- 111B Generator - to - Generator for Prime Power Applications

Bypass Isolation Switch Options

- 14A1 Auy contact to close in "Bypass to Normal" position.
- 14B1 Auxiliary contact to close in "Bypass to Emergency" position.
- 14T Auxiliary contact to close when transfer switch is in "Automatic" position.
- 14U Auxiliary contact to close when transfer switch is in "Isolate" position.
- 14V Auxiliary; contact to close when transfer switch is in "Test" position.
- 82B Lifting yoke for transition switch removal on 600-3000 amp.*
- 82C Automatic shutters for bus isolation when transfer switch is withdrawn.*

* see page 6 for details

ASCO® 7000 SERIES Optional Accessories

ASCO® 5200 SERIES

Power Manager

The ASCO 5200 SERIES Power Manager is a microprocessor based metering device that provides real-time measurements of single and three phase power systems. The Power Manager uses digital signal processing technology to measure voltage and current per phase; real, reactive and apparent power, and bi-directional energy. All measurements can be viewed locally with a backlit liquid crystal display and/or displayed remotely with ASCO PowerQuest® or SiteWeb® products.

Direct voltage input for systems up to 600 Volts AC can be monitored without the use of external potential transformers (PTs). Measures three phase currents and a fourth current input is available for measuring current in the neutral conductor. The Power Manager includes one discrete input for transfer switch position, eight general purpose discrete inputs, and four relay outputs for monitoring and controlling external devices.

Power Metering

- Voltage:
 - Line - Line: VAB, VBC, VCA, VAVERAGE
 - Line - Neutral: VAN, VBN, VCN, VAVERAGE
- Frequency: 45.0 to 66.0 Hertz
- Current: IA, IB, IC, IAVERAGE
- Unbalance %: Voltage, Amps
- Real Power: KWA, KWB, KWC, KWNET
- Reactive Power: KVARA, KVARB, KVARC, KVARNET
- Apparent Power: KVAA, KVAB, KVAC, KVANET
- Real Energy: KWHIMPORT, KWHEXPORT, KWHNET
- Reactive Energy: KVARHIMPORT, KVARHEXPORT, KVARHNET
- Power Factor: PFA, PFB, PFC, PFNET

Data Access

- Eight digital inputs, four relay outputs.
- Input/Output 15-character, user definable screen display for identification of input/output signals.

Communications

- RS485 (2) or (4) wire serial capability.
- Includes Modbus RTU.
- Ethernet compatible when combined with 5150 Connectivity Module (72E).

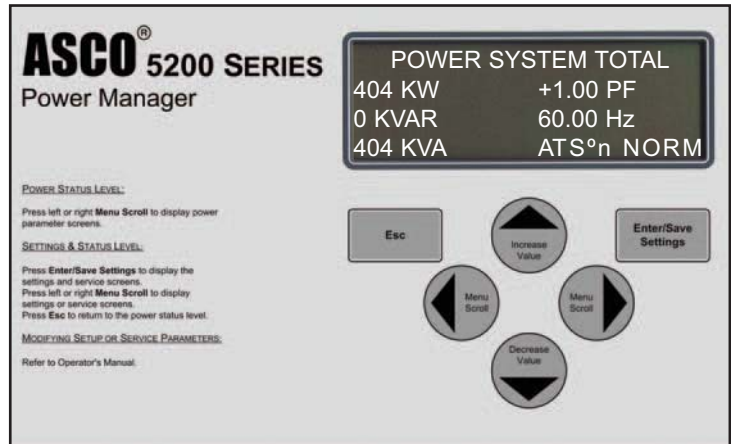


Fig. 16: ASCO 5200 SERIES Power Manager.

Configurable Designations

- Local - A four line, 20 character LCD backlit display.
- Remote - Integrated 4 wire RS485 port; optional 5110 Serial Module (72A) or 5150 Communications Module (72E) and power manager monitoring systems.
- Provides user programmable setpoints based on twelve metering and I/O parameters. Each setpoint allows the user to select the parameter, the trip & reset levels, the trip & reset time delays and the alarm type or relay output to trigger. This can be used for protective relaying and peak shaving applications.
- 100 event data logging feature.

Integrated ATS Features

When configured on load of ATS:

- Displays ATS position.
- Displays power data as a function of ATS position (normal/emergency).
- Accumulates energy data separately for normal and emergency sources.

Optional Configurations and Connection Arrangements

Connected To:	With Display	Without Display
Load	Acc. 85L	Acc. 75L
Normal	Acc. 85N	Acc. 75N
Emergency	Acc. 85M	Acc. 75M
Load (BPS only)	Acc. 85R*	Acc. 75R*

Add suffix "A" to above designations if neutral conductor monitoring is required.

Note: Accessory 75 and 85 includes component mounting, CTs, shorting blocks and all necessary interwiring.

*Bypass & isolation switch contacts wired to discrete Power Manager inputs.

Note: The ASCO Power Manager is also available as a separate unit for monitoring electrical parameters anywhere in the power distribution system.

ASCO® 7000 SERIES Power Monitoring & Control

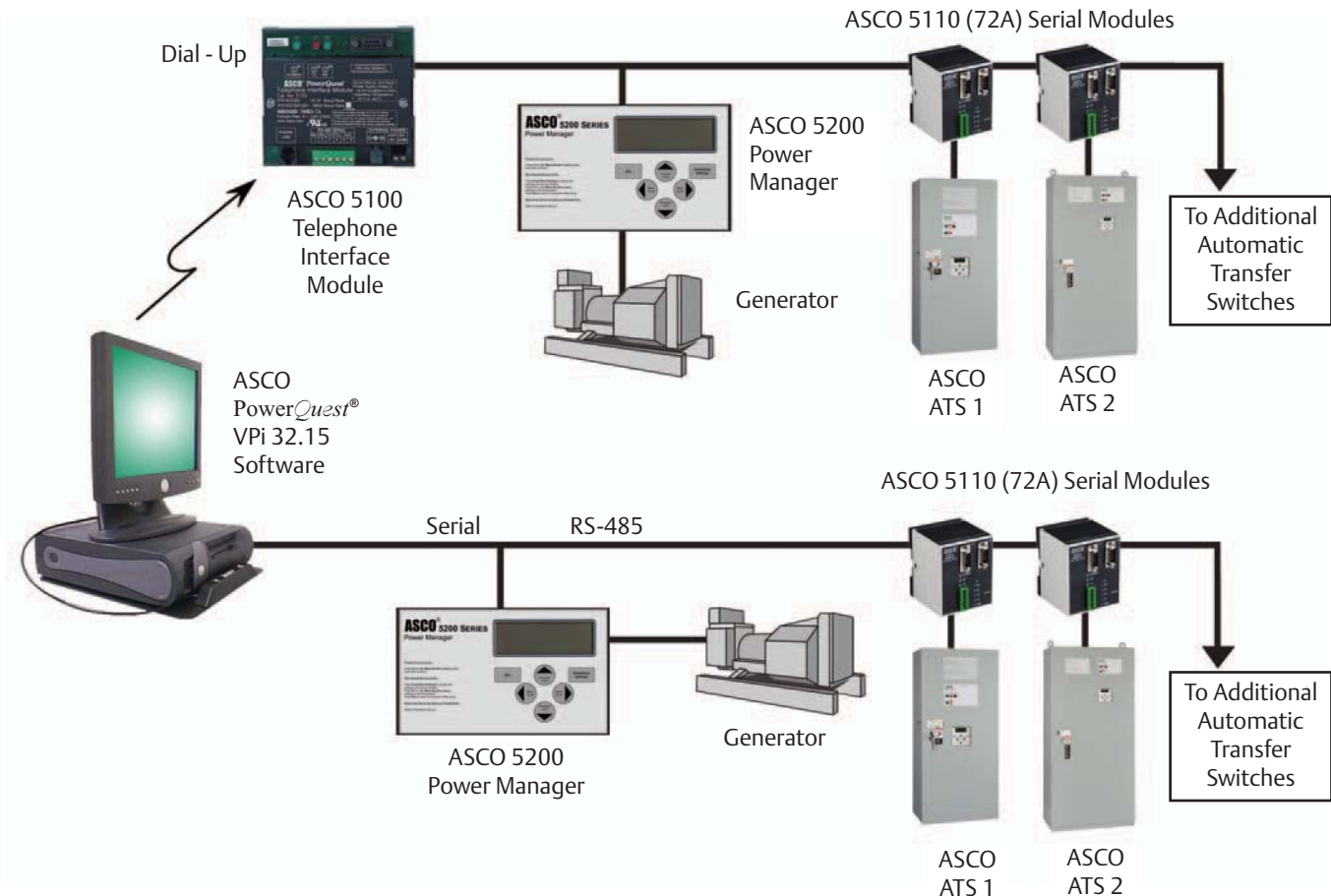
ASCO Connectivity Solutions

ASCO PowerQuest® and SiteWeb® communications products allow for the monitoring and control of power transfer switches in your Emergency or Standby Power Distribution System. Local Area networks and Remote networks are supported with either single or multiple points of access, and web-enabled communications allow access to your power system from anywhere around the world.

Features

- Monitors and controls Power Transfer Switches and Engine Generators
- Monitors normal and emergency voltages and frequency
- Indicates transfer switch position and source availability
- Provides transfer and re-transfer of loads for system testing
- View normal and emergency voltage and frequency settings
- View transfer switch time-delay settings
- Provides transfer switch rating and identification
- Automatic paging notifies personnel, by e-mail or text message, of selected system alarms
- View current, power and power factor with ASCO Power Managers Connected to the System
- View transfer switch event log
- Provides transfer switch test schedule

PowerQuest® Typical Network Connection



ASCO® 7000 SERIES Power Monitoring

PowerQuest® is a PC based software package. When combined with the ASCO 5110 Serial Module (Acc 72A), the ASCO 5120 Telephone Interface Module and ASCO 5200 SERIES Power Manager provide the most economical communication system for monitoring and control of power transfer switches and engine generators.

The local RS-485 network allows communications with up to 32 power transfer switches and four engine generators. An analog phone connection and ASCO telephone interface module allow for direct dial up, monitoring and control of remote locations. The ASCO Power Manager not only allows you to view current power and power factor readings, but also has a programmable KW set point to initiate transfer of loads to a standby source for peak shaving operations.



Fig. 17: Serial Module 72A

5110 Serial Module

The 5110 Serial Module is used to allow local or remote communications with ASCO PowerQuest® or SiteWeb® communication products.

The module is used to connect the 7000 SERIES transfer switches to a serial network via an RS-485 interface. The module has two port connectors used for ATS & Power Manager connectivity.

The serial connection is accomplished from a 5-pin terminal header/socket block. RS-485 serial networks allow for up to 32 modules to be set up in a daisy chain configuration to connect to PowerQuest® or SiteWeb® systems.



Fig. 18: Connectivity Module 72E

5150 Connectivity Module

The 5150 Connectivity Module is used to bring several different serial devices that communicate at different baud rates and with different protocols to a common Ethernet media.

The module is used to connect 7000 SERIES transfer switches, and ASCO Remote Annunciators to a standard Ethernet TCP/IP network with standard 10base T(RJ-45) connectors. The module has customized embedded JAVA™ applets (program applications for an internet browser) for each monitored device that loads automatically to a standard Web Browser.

The module is designed to communicate with up to 8 clients such as Web applications (web pages), PowerQuest®, or third party Modbus® devices simultaneously over an Ethernet connection.



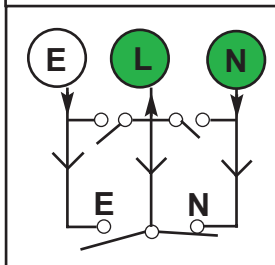
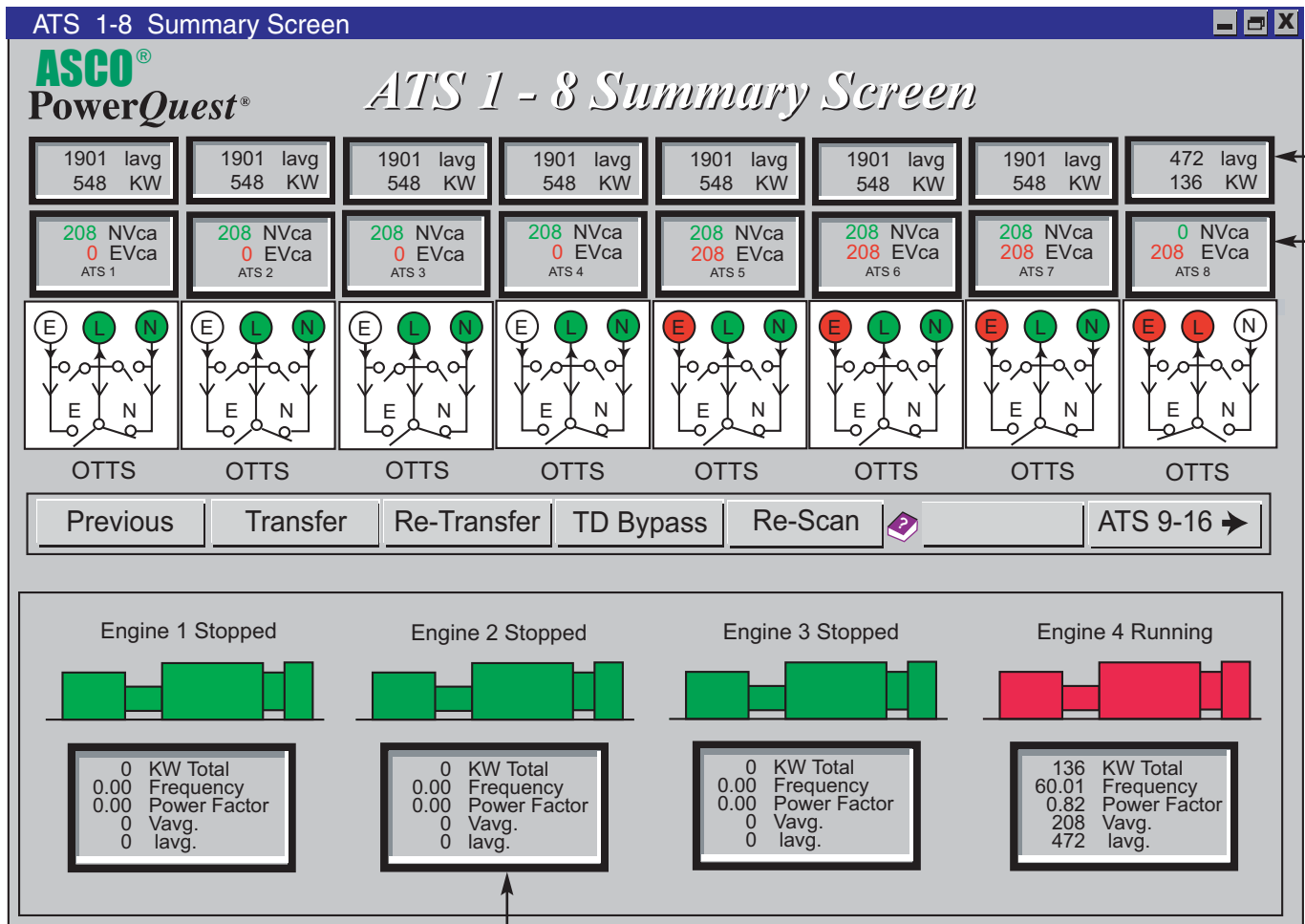
Fig. 19: Telephone Interface Module 92A

5120 Telephone Interface Module (for use with PowerQuest®)

The 5120 Telephone Interface Module (TIM) allows users to dial directly into their ASCO communications network for monitoring and/or control. The TIM connects to the ASCO communication network via RS-485 and the phone port connects directly into an analog phone jack. Also, the TIM has an RS-232 connector which allows the TIM to be used as the dialing modem.

Supplied with 120 VAC to 18 VDC (nominal) UL approved, class 2 power supply.

Summary Screen



Convenient One-Line Diagram

- Colored icons highlighted to show source availability and which source is connected to load.
- Contacts move on icon to indicate main contact position of transfer and bypass switch. (Automatic transfer and automatic transfer and bypass isolation switches must be provided with optional accessory 14 auxiliary contacts shown on page 14.)
- Bypass switch contacts appear on icon when configured by user input data.

ASCO[®] PowerQuest[®] Power Manager / Data Monitor Screen

ADDRESS: 8

Voltage		Current		Normal Energy	
Voltage AB	207	Current A	475	KWH imp	890763
Voltage BC	209	Current B	469	KWH exp	0
Voltage CA	208	Current C	472	KWH net	890763
Voltage AN	119	Unbal %	40	KVARH lag	85
Voltage BN	120			KVARH lead	78
Voltage CN	121			KVARH net	163
Unbal % L-L	1				
Frequency	59.97				
Power Factor	1				

Power		Emergency Energy	
KWatt	136	KWH imp	21
KVAR	0	KWH lead	7
KVA	136	KWH net	25
		KVARH lag	2
		KVARH lead	1
		KVARH net	3

Digital Input	Status	Digital Output	Toggle	Status
Status Input 1	Green	Start Engine	Relay 1	on
Bypass to Normal	Green	Output 2	Relay 2	off
Bypass to Emergency	Red	Output 3	Relay 3	off
ATS Test	Green	Output 4	Relay 4	off
ATS Isolated	Green			
Normal Breaker Trip	Green			
Status Input 7	Green			
Status Input 8	Green			

Device	
CT Ratio	1000
PT Ratio	120

Reset Normal Reset Emergency

USER: NONE **ATS Summary**

Power Manager Detail Screen

- Voltage: phase to phase; phase to neutral and voltage unbalance.
- 3 phase currents and neutral (optional).
- Frequency.
- Kilowatt hours - normal and emergency.
- Status and control of four relay outputs.
- Status of eight digital inputs.
- Device ratings: CT and PT ratio.

Transfer Switch Detail Screen

- ATS rating and identification data is displayed.
- Allows remote testing and time delay bypass.
- Voltage, frequency, phase sequence, voltage unbalance and time delay settings can be checked.
- Viewing of engine exercise schedules.
- Displays phase to phase voltage on normal and emergency.
- Provides complete system status message from 7000 series microprocessor controller.
- View event log on the last 99 events for each ATS.
- Arrange test schedules for transfer switches.
- Provides for monitoring of local site or remote sites.

ASCO[®] PowerQuest[®] ATS Details Screen

Transfer Switch: Description: **ATS 8** Location: **Switch 1** Ver: **ADRTST-E12**

Transfer Re Transfer Timer Bypass

PRESENT STATE
Load On Normal
Normal OK

205 NVca
0 EVca
ATS1

OTTS

Normal Voltage Frequency Settings			Time Delay Settings [min]:[sec]		
Voltage P.U.	95	197.6	Engine Start-Norm Fail	00	03
Voltage D.O.	70	197.6	Norm to Emerg	00	10
Voltage Trip	0	0	Emerg to Norm-Src Fail	30	00
Freq P.U.	95	47.5	Emerg to Norm-Test Xfer	02	00
Freq D.O.	90	45	Emerg to Norm-Emerg Fail	00	00
Freq Trip	0	0	Engine Cool Down	03	00
Volt Unbal P.U.	10	20.8	Select		
Volt Unbal D.O.	20	41.6	Standard TD		
Select Emergency Settings			Pre/Post Signal TD		
			Non - Standard TD		

Switch Data	
Nom Voltage	208
Current Rating	1200
Nom Freq	50
# Phases	1
Normal Vab	202
Normal Vbc	205
Normal Vca	205
Normal Freq	59
Emerg Vab	0
Emerg Vbc	0
Emerg Vca	0
Emerg Freq	0

Update Time

Event Logging (Max. 99 Entries)

Event Log Emerg Became Not Fail

Event Cause Emergency Failure

Date: 06/12/01

Time: 16:05:42

USER: None Test Schedules **ATS Summary**

ASCO[®] PowerQuest[®] Engine-Generator Screen

ENGINE: 4

Voltage		Current		Power		Energy	
Voltage AB	207	Current A	475	KW Total	136	KWH imp	890784
Voltage BC	209	Current B	469	KWH net	43441	KWH exp	0
Voltage CA	208	Current C	472	Frequency	60	KWH net	890784
Voltage AN	119	Unbal %	40	Power Factor	60	KVARH lag	85
Voltage BN	120					KVARH lead	78
Voltage CN	121					KVARH net	163
Unbal % L-L	1					Reset	

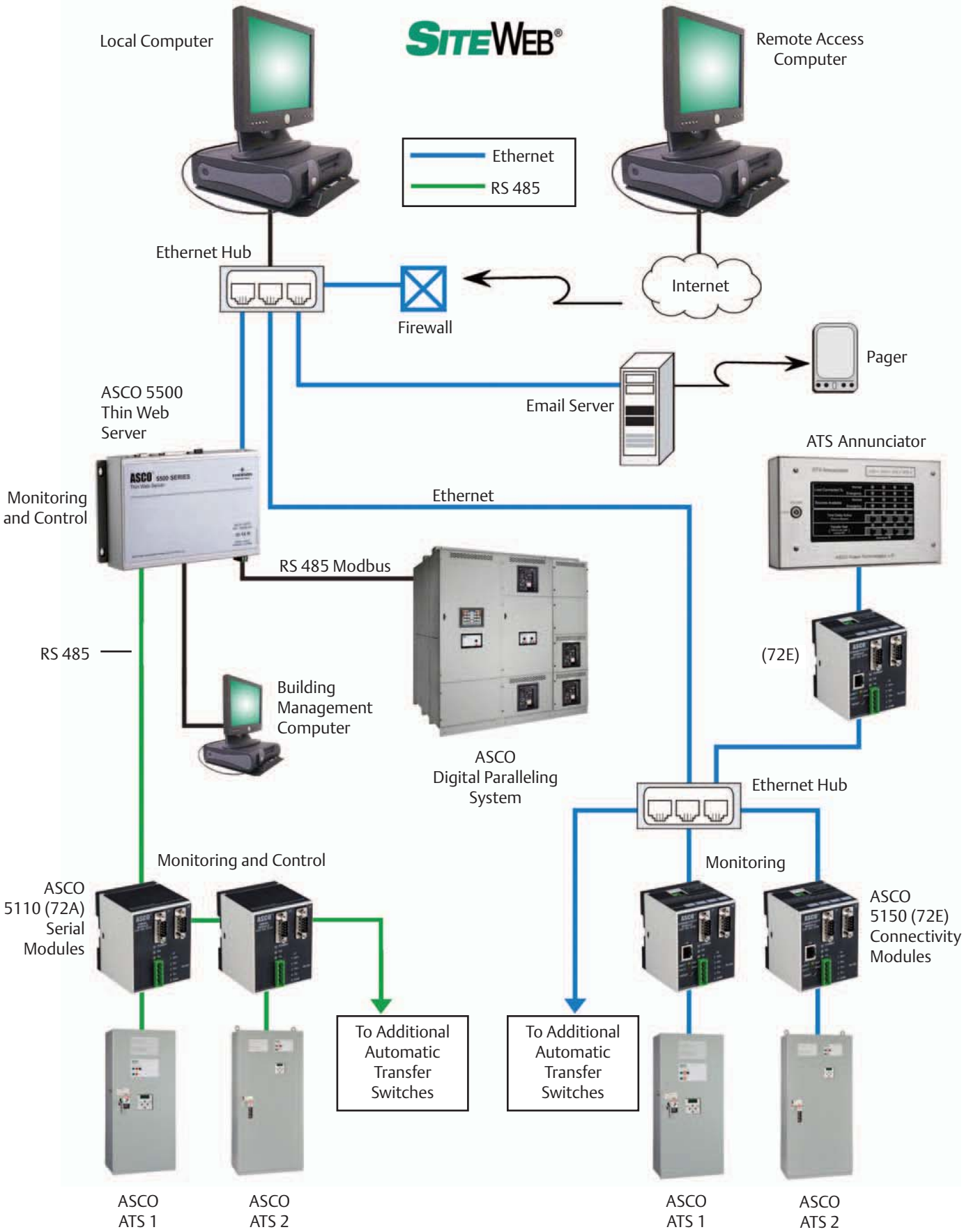
Digital Input	Alarm Enabled	Status	Digital Output	Toggle	Status
Engine Oil Temp	No	Green	Start Engine	Relay 1	on
Low Fuel	No	Green	Output 2	Relay 2	off
Low Oil Pressure	Yes	Red	Output 3	Relay 3	off
Bypass Closed	No	Green	Output 4	Relay 4	off
Bypass on Test	No	Green			
Normal Brkr Temp	No	Green			
Status Input 7	No	Green			
Status Input 8	No	Green			

USER: NONE **ATS Summary**

Engine-Generator Details

- Voltage: Phase to phase; Phase to neutral
- Current for each phase.
- Kilowatts and kilowatt hours total.
- Frequency and power factor.
- Status and control of four digital outputs which can be customized by the user.
- Status of eight digital inputs.
- "Alarm Enabled" selection. These alarms flash the "engine-generator" icon on the summary screen.
- Digital inputs for engine malfunctions are derived from engine mounted sensors (supplied by others).

ASCO® SiteWeb®



ASCO® SiteWeb®

SiteWeb® is a client-server application requiring no software to be installed on the client computer. When combined with the ASCO Communication Interface Modules (Acc 72A / Acc 72E), the ASCO 5500 SERIES Thin Web Server and the ASCO 5200 SERIES Power Manager provide the most comprehensive Intranet and Internet communication system for the monitoring and control of power transfer switches and engine generators located in your emergency or standby power distribution system.

The SiteWeb® communication system allows multiple client access, from local or remote locations, and provides for the monitoring of up to 64 power transfer switches and eight engine generators. In addition, automatic email paging is provided for all alarm signals.



Fig. 20: Thin Web Server

ASCO® 5500 SERIES Thin Web Server

The ASCO Thin Web Server allows you to monitor and control transfer switches and engine generators anytime over an Intranet or the Internet from anywhere in the world. It also transmits an email message that an alarm has occurred with one or more of the transfer switches. Plus, this is possible from your home computer or anywhere that has Internet service, using the ASCO Thin Web Server with the SiteWeb® monitoring and control system.

Communications Products for 7000 SERIES Transfer Switches

Description	Acc. Option	Catalog No.
Serial Module	72A	5110
Connectivity Module	72E	5150
Power Manager with Display*	85L	5220D
Thin Web Server*	-	5510E
PowerQuest VPI Software Package*	-	VPI 32.15

*Note: These products are available as separate items only. They can be ordered by catalog numbers shown in above chart.

PowerQuest®

VS.

SITEWEB®

ASCO Connectivity Solution Guide Feature	PowerQuest VPI 32.15	Thin Web Server with SiteWeb	5150 Connectivity Module
Quantity of Monitored / Controlled Power Transfer Switches per LAN	32	64	1024+
Number of Monitored / Controlled Gensets	4	8	1024+
Control & Monitoring Capability	Yes	Yes	No
Embedded Web Pages	No	Yes	Yes
Ethernet Network Compatible	Yes	Yes	Yes
Monitor Multiple Protocols & Baud Rates (ASCO I, ASCO II, Modbus)	No	No	Yes
Monitor Multiple Sites	Dial-Up	Internet	Intranet
Multiple Client Access	No	Up to 8	Up to 8
Client Software Required	Yes	Internet Explorer	Internet Explorer
Monitors Dissimilar ASCO Controllers on Common LAN	No	No	Yes
Communicates with ASCO Remote Annunciators	No	No	Yes
Email / Paging Alarms	No	Yes	No
Historical Trending Option Alarms	No	Yes	No

ASCO® 7000 SERIES Ordering Information

To order an ASCO 7000 SERIES Power Transfer Switch, complete the following catalog number:

7 A TS + A + 3 + 400 + N + 5X + C

		Product		Neutral Code*		Phase Poles	Amperes	Voltage Code		Grp Code	Enclosure		
A	Automatic	TS	Conventional 2-Position	---	No Neutral	2	30	A	115	5 5X- optional accessories	---	No enclosure	
							3	70	B		120	C	Type 1 enclosure
N	Non-Automatic	TB	Open Transition Bypass	A	Solid Neutral		100	C	208			E	Type 2 enclosure
							150	D	220			F	Type 3R enclosure
							200*	E	230			G	Type 4 enclosure
							230*	F	240			H	Type 4X enclosure (stainless steel)
M	Manually Operated	DTS	Delayed Transition	B	Switched Neutral		260	H	380			K	Type 7 enclosure
							400	J	400			L	Type 12 enclosure
							600	K	415			M	Type 3R secure double door
							800	L	440			N	Type 4 secure double door
		CTB	Closed Transition Bypass	C	Overlapping Neutral		1000	M	460			P	Type 4X secure double door
	1200					N	480		Q		Type 12 secure double door		
	1600					P	550						
	2000					Q	575						
		DTB	Delayed Transition Bypass				3000	R	600				
					4000								

*Note: For 4 pole applications on switches rated 150 to 400 (Bypass configurations only) amps and 4000 amps specify overlapping switched neutral (optional). Conventional switch neutral is provided on delayed transition transfer products when specified. 200 and 230 amp switch limited to 480 volts maximum.

The Example Catalog Number above is 7ATS3400N5XC
(X is used to specify optional accessories).

Transfer Switch Configurations
7A TS, 7N TS, 7A DTS, 7A CTS, 7N DTS, 7N CTS

Sizes of UL-Listed Solderless Screw-Type Terminals for External Power Connections

Switch Rating amps	Max # of Conductors per Terminal	Range of AL-CU Conductor Sizes
30-230 ³	One	#14 to 4/0 AWG
260-400	One	#4 AWG to 600 MCM
	Two	#1/0 AWG to 250 MCM
600	Two	#1/0 AWG to 600 MCM
800-1200 ¹	Four	#1/0 AWG to 600 MCM
1600-2000	Six	#1/0 AWG to 600 MCM
3000	Twelve	#1/0 AWG to 600 MCM
4000 ²	Twelve	#2/0 AWG to 600 MCM

Transfer/Bypass Configurations
7A TB, 7N TB, 7A DTB, 7A CTB, 7N DTB, 7N CTB

Sizes of UL-Listed Solderless Screw-Type Terminal for Power Connections

Switch Rating amps	Max # of Conductors per Terminal	Range of AL-CU Conductor Sizes
150,260,400	One	#4 AWG to 600 MCM
	Two	#1/0 AWG to 250 MCM
600 ⁴	Two	#2 AWG to 600 MCM
800,1000,1200 ⁴	Four	#1/0 AWG to 600 MCM
1600-2000 ⁴	Six	#1/0 AWG to 600 MCM
3000 ⁴	Ten	#2 AWG to 600 MCM
4000 ⁴	Twelve	#2 AWG to 600 MCM

Notes: 1. Unit is designed for top cable entry of emergency and load and bottom entry of normal. Optionally, the switch may be supplied with reverse source and/or bottom entry load, when specified.

2. All main terminals are rear connected. The 4000 amp switch is arranged for bus bar connection. Contact ASCO if provisions for cable connection are required.

3. 200 and 230 amp rating for copper conductors only.

4. All main terminals are rear connected. A front connected version is available in 600 and 1200 amp ratings only with top cable entry only. See pages 25-27 for dimensional data and additional information.

ASCO® 7000 SERIES Designed to Fit Anywhere*

2-Position Transfer Switching 7A TS, 7N TS (Non-Bypass)

Switch Rating Amps	Poles	Width inches (mm)	Height inches (mm)	Depth inches (mm)
<i>Enclosed UL Type 1²</i>				
30, 70, 100, 125, 150, 200, 230	2, 3 or 3 with neutral A/B/C	18 (457)	48 (1219)	13 (330)
260, 400	2, 3 or 3 with neutral A/B/C	24 (610)	56 (1422)	14 (356)
600	2, 3 or 3 with neutral A/B/C	24 (610)	63 (1600)	17 (432)
800, 1000	2, 3 or 3 with neutral A/B/C	34 (864)	72 (1829)	20 (508)
1200	2, 3 or 3 with neutral A/B/C	38 (965)	87 (2210)	23 (584)
1600, 2000 ¹	2, 3 or 3 with neutral A/B/C	38 (965)	91 (2311)	48 (1219)
1600, 2000 ^{1,3} (front connected)	2, 3 or 3 with neutral A/B/C	38 (965)	87 (2210)	23 (584)
2600, 3000 ¹	2, 3 or 3 with neutral A/B/C	38 (965)	91 (2311)	60 (1524)
4000 ¹	2, 3 or 3 with neutral A/C	46 (1168)	91 (2311)	72 (1829)
<i>Open Configuration</i>				
30, 70, 100, 125, 150, 200, 230	2, 3 or 3 with neutral B/C	10-1/4 (260)	10-1/4 (260)	5-1/2 (140)
260, 400	2, 3 or 3 with neutral B/C	18-1/2 (470)	25 (635)	8 (203)
600	2, 3 or 3 with neutral B/C	19 (483)	30 (762)	9-7/8 (251)
800, 1000, 1200	2, 3 or 3 with neutral B/C	27 (686)	31 (787)	12-7/8 (327)
1600, 2000	2, 3 or 3 with neutral B/C	33-1/4 (845)	28 (711)	26-1/4 (667)
2600, 3000	2, 3 or 3 with neutral B/C	33-1/4 (845)	28 (711)	30-3/4 (781)
4000	2, 3 or 3 with neutral C	41 (1041)	52 (1321)	25-1/2 (648)

Notes:

1. Enclosures for 1600 - 4000 amp are free-standing with removable top, sides, and back.

2. Consult ASCO for dimensions on enclosures other than UL type 1.

3. Order accessory 40MY for 1600A and 40NY for 2000A F/C design.

*All dimensions and weights shown are approximate and should not be used for construction purposes. Certified dimensions can be furnished upon request.

Shipping Weights

2-Position Transfer Switching 7A TS, 7N TS

Switch Rating Amps	Poles	Enclosed* lb (kg)	Open* lb (kg)
30, 70, 100, 125	2	67 (31)	15 (7)
30, 70, 100, 125	3	70 (32)	18 (8)
30, 70, 100, 125	3 with B/C	73 (33)	21 (10)
150, 200, 230	2	69 (32)	17 (8)
150, 200, 230	3	72 (33)	20 (9)
150, 200, 230	3 with B/C	75 (34)	23 (11)
260, 400	2	216 (98)	82 (37)
260, 400	3	223 (101)	89 (40)
260, 400	3 with B/C	230 (105)	102 (46)
600	2	316 (143)	88 (40)
600	3	324 (147)	96 (44)
600	3 with B/C	332 (151)	104 (47)
800, 1000	2	400 (182)	150 (68)
800, 1000	3	420 (192)	170 (78)
800, 1000	3 with B/C	446 (203)	196 (90)
1200	2	685 (312)	150 (68)
1200	3	705 (321)	170 (78)
1200	3 with B/C	731 (333)	196 (90)
1600, 2000	2	1110 (503)	370 (167)
1600, 2000	3	1160 (525)	420 (190)
1600, 2000	3 with B/C	1210 (548)	470 (213)
2600, 3000	2	1365 (620)	405 (184)
2600, 3000	3	1430 (649)	470 (213)
2600, 3000	3 with B/C	1495 (679)	535 (243)
4000	2	2208 (1002)	975 (443)
4000	3	2433 (1104)	1200 (545)
4000	3 with C	2533 (1149)	1300 (590)

*All dimensions and weights shown are approximate and should not be used for construction purposes. Certified dimensions can be furnished upon request.

Closed Transition and Delayed Transition Transfer Switching
7A DTS, 7A CTS, 7N DTS, 7N CTS

Switch Rating Amps	Poles	Width inches (mm)	Height inches (mm)	Depth inches (mm)
<i>Enclosed UL Type 1²</i>				
150, 260, 400	2, 3 or 3 with neutral A/B	24 (610)	56 (1422)	14 (356)
600	2, 3 or 3 with neutral A/B	24(610)	63 (1600)	17(432)
800, 1000	2, 3 or 3 with neutral A/B	34 (864)	72 (1829)	20 (508)
1200	2, 3 or 3 with neutral A/B	38 (965)	87 (2210)	23 (584)
1600, 2000 ¹	2, 3 or 3 with neutral A/B	38 (965)	91 (2311)	48 (1219)
1600, 2000 ^{1,3} (front connected)	2, 3 or 3 with neutral A/B	38 (965)	87 (2210)	23 (584)
3000 ¹	2, 3 or 3 with neutral A/B	38 (965)	91 (2311)	60 (1524)
4000 ¹	2, 3 or 3 with neutral A/C	46 (1168)	91 (2311)	72 (1829)
<i>Open Configuration</i>				
150, 260, 400	2, 3 or 3 with neutral B	18-1/2 (470)	25 (635)	8 (203)
600	2, 3 or 3 with neutral B	19 (483)	30 (762)	9-7/8 (251)
800, 1000, 1200	2, 3 or 3 with neutral B	27 (686)	31 (787)	12-7/8 (327)
1600, 2000	2, 3 or 3 with neutral B	33-1/4 (845)	28 (711)	26-1/4 (667)
3000	2, 3 or 3 with neutral B	33-1/4 (845)	28 (711)	30-3/4 (781)
4000	2, 3 or 3 with neutral C	41 (1041)	52 (1321)	29-1/2 (749)

Notes:
 1. Enclosures for 1600 - 4000 amp are free-standing with removable top, sides, and back.
 2. Consult ASCO for dimensions on enclosures other than UL type 1.
 3. Order accessory 40MY for 1600A and 40NY for 2000A front connected design.
 *All dimensions and weights shown are approximate and should not be used for construction purposes. Certified dimensions can be furnished upon request.

Shipping Weights
Closed Transition and Delayed Transition Transfer Switching
7A DTS, 7A CTS, 7N DTS, 7N CTS

Switch Rating Amps	Poles	Enclosed* lb (kg)	Open* lb (kg)
150, 260, 400	2	235 (107)	101 (46)
150, 260, 400	3	242 (110)	108 (49)
150, 260, 400	3 with B	250 (113)	115 (52)
600	2	335 (152)	107 (48)
600	3	343 (156)	115 (52)
600	3 with B	352 (159)	124(56)
800, 1000	2	420 (192)	175 (80)
800, 1000	3	450 (205)	205 (94)
800, 1000	3 with B	480 (219)	235 (108)
1200	2	710 (324)	175 (80)
1200	3	740 (337)	205 (94)
1200	3 with B	770 (351)	235 (108)
1600, 2000	2	1300 (590)	505 (229)
1600, 2000	3	1350 (612)	555 (252)
1600, 2000	3 with B	1400 (635)	605 (274)
2600, 3000	2	1555 (706)	540 (245)
2600, 3000	3	1620 (735)	660 (300)
2600, 3000	3 with B	1685 (765)	725 (329)
4000	2	2360 (1071)	1127 (511)
4000	3	2580 (1171)	1347 (611)
4000	3 with C	2680 (1217)	1447 (657)

Notes:
 1. Open weights include transfer switch and control panel. 1200-4000 amp enclosures require ventilation openings, refer to drawings for details. Export shipments may require a wooden box, contact ASCO for weights and dimensions.
 *All dimensions and weights shown are approximate and should not be used for construction purposes. Certified dimensions can be furnished upon request.

**Automatic Transfer Bypass-Isolation Switching
with Transfer Switch Engaged 7A TB, 7N TB**

Switch Rating amps	Power Connection Configuration	Poles	Width inches (mm)	Height inches (mm)	Depth inches (mm)
<i>Enclosed UL Type 1</i>					
150, 260, 400 ¹	Front Connected	2, 3 or 3 with neutral A/C	28-1/2 (724)	62-1/2 (1588)	19 (483)
600, 800 ^{2,5}	Front Connected	2, 3 or 3 with neutral A/B/C	38 (965)	91 (2311)	32 (813)
600, 800, 1000, 1200 ^{2,3}	Rear Connected	2, 3 or 3 with neutral A/B/C	38 (965)	91 (2311)	48 (1219)
1600, 2000 ^{2,3}	Rear Connected	2, 3 or 3 with neutral A/B/C	38 (965)	91 (2311)	60 (1524)
3000 ^{2,3}	Rear Connected	3 or 3 with neutral A/B/C	38 (965)	91 (2311)	72 (1829)
4000 ⁴	Rear Connected	3 or 3 with neutral A/C	96-1/2 (2451)	91 (2311)	72 (1829)
<i>Open Configuration</i>					
150, 260, 400 ¹	Front Connected	2 or 3	14-3/4 (375)	37-1/8 (946)	22-1/4 (565)
150, 260, 400 ¹	Front Connected	2 or 3 with neutral C	19-3/4 (500)	61-1/2 (1553)	22-1/4 (565)
600, 800, 1000, 1200 ^{2,3}	Rear Connected	2, 3 or 3 with neutral B/C	38 (965)	72 (1829)	38 (965)
1600, 2000 ³ , 3000 ^{2,3}	Rear Connected	2, 3 or 3 with neutral B/C	38 (965)	72 (1829)	38 (965)

- Notes: 1. Handles extend 3-1/2 inches (89mm).
 2. Handles extend 6-1/4 inches (159mm).
 3. Recommended clearance to enclosure: 3 feet (914mm) from rear, 4 feet (1219mm) from front (25 inches required for transfer switch drawout). Side or rear access required.
 4. For 4000 amp size, ATS and bypass sections can be reversed, contact ASCO. Recommended clearance to enclosure: 3 feet (914mm) from rear, 5 feet (1524mm) from front (3 feet required for transfer switch rollout).
 5. Specify optional accessory 40HY for 600 amp front - connected arrangement and 40 JY for 800 amp. All service and load cables limited to top entry only.
 *All dimensions and weights shown are approximate and should not be used for construction purposes. Certified dimensions can be furnished upon request.

**Shipping Weights
Automatic Transfer Bypass-Isolation Switching
with Transfer Switch Engaged 7A TB, 7N TB**

Switch Rating amps	Poles	Enclosed* lb (kg)	Open* lb (kg)
150, 260, 400	2	340 (154)	135 (61)
150, 260, 400	3	350 (158)	145 (66)
150, 260, 400	3 with C	360 (163)	155 (70)
600, 800, 1000, 1200	2	1510 (685)	920 (417)
600, 800, 1000, 1200	3	1580 (717)	990 (449)
600, 800, 1000, 1200	3 with B/C	1650 (748)	1060 (481)
1600, 2000	2	2180 (989)	1300 (589)
1600, 2000	3	2360 (1070)	1550 (702)
1600, 2000	3 with B/C	2540 (1152)	1800 (815)
3000	3	2730 (1240)	1690 (768)
3000	3 with B/C	3360 (1525)	1980 (899)
4000	3	6300 (2858)	—
4000	3 with C	6900 (3130)	—

- Notes: 1. Open weights include transfer switch, bypass-isolation switch and control panel.
 1600-4000 amp enclosures require ventilation openings, refer to drawings for details.
 Export shipments may require a wooden box, contact ASCO for weights and dimensions.
 *All dimensions and weights shown are approximate and should not be used for construction purposes. Certified dimensions can be furnished upon request.

Automatic Transfer Bypass-Isolation in Closed Transition and Delayed Transition Switching. 7A DTB⁶, 7A CTB, 7N DTB⁶, 7N CTB

Switch Rating amps	Power Connection Configuration	Poles	Width inches (mm)	Height inches (mm)	Depth inches (mm)
<i>Enclosed UL Type 1</i>					
150, 260, 400 ^{1,5}	Front Connected	2, 3 or 3 with neutral A/C	28-1/2 (724)	74 (1880)	19 (483)
600, 800 (Front Connected) ^{2,7}	Front Connected	2, 3 or 3 with neutral A/B	38 (965)	91 (2311)	32 (813)
600, 800, 1000, 1200 ^{2,3}	Rear Connected	2, 3 or 3 with neutral A/B	38 (965)	91 (2311)	48 (1219)
1600, 2000 ^{2,3}	Rear Connected	2, 3 or 3 with neutral A/B	38 (965)	91 (2311)	60 (1524)
3000 ^{2,3}	Rear Connected	3 or 3 with neutral A/B	38 (965)	91 (2311)	72 (1829)
4000 ⁴	Rear Connected	3 or 3 with neutral A/C	96-1/2 (2451)	91 (2311)	72 (1829)
<i>Open Configuration</i>					
150, 260, 400 ^{1,5}	Front Connected	2 or 3	14-3/4 (375)	61-1/2 (1553)	22-1/4 (565)
150, 260, 400 ^{1,5}	Front Connected	2 or 3 with neutral C	19-3/4 (500)	61-1/2 (1553)	22-1/4 (565)
600, 800, 1000, 1200 ^{2,3}	Rear Connected	2, 3 or 3 with neutral B	38 (965)	72 (1829)	38 (965)
1600, 2000 ³ , 3000 ^{2,3}	Rear Connected	2, 3 or 3 with neutral B	38 (965)	72 (1829)	38 (965)

- Notes: 1. Handles extend 3-1/2 inches (89mm).
 2. Handles extend 6-1/4 inches (159mm).
 3. Recommended clearance to enclosure: 3 feet (914mm) from rear, 4 feet (1219mm) from front (25 inches required for transfer switch drawout). Side or rear access required.
 4. For 4000 amp size, ATS and bypass sections can be reversed, contact ASCO. Recommended clearance to enclosure: 3 feet (914mm) from rear, 5 feet (1524mm) from front (3 feet required for transfer switch rollout).
 5. Dimensions for 400 amp, 7A DTB and 7N DTB with neutral code B are 38(965)W x 91(2311)H x 48(1219)H.
 6. Conventional switched neutral is provided on 7A DTB and 7N DTB switching arrangements when specified (optional Code B).
 7. Specify optional accessory 40HY for 600 amp front - connected arrangement and 40 JY for 800 amps. All service and load cables limited to top entry only.
 *All dimensions and weights shown are approximate and should not be used for construction purposes. Certified dimensions can be furnished upon request.

Shipping Weights

Automatic Transfer Bypass-Isolation in Closed Transition and Delayed Transition Switching. 7A DTB, 7A CTB, 7N DTB, 7N CTB

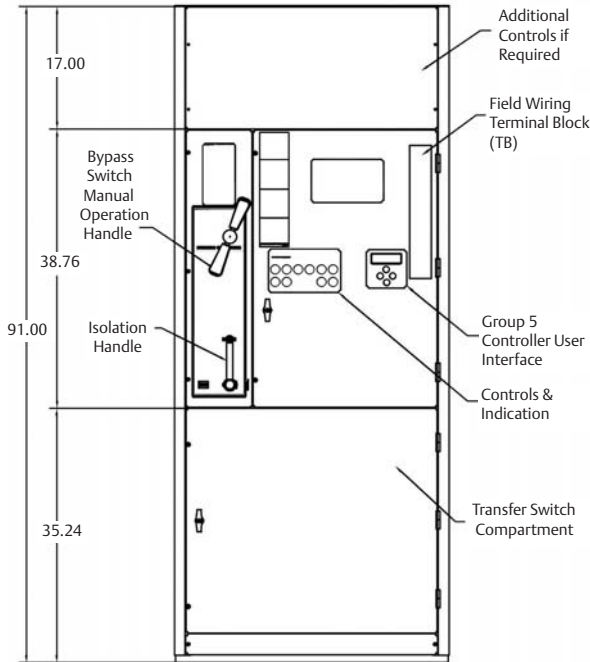
Switch Rating amps	Poles	Enclosed* lb (kg)	Open* lb (kg)
150, 260, 400	2	440 (199)	165 (75)
150, 260, 400	3	450 (203)	175 (79)
150, 260, 400	3 with C	460 (208)	185 (84)
600, 800, 1000, 1200	2	1560 (708)	970 (440)
600, 800, 1000, 1200	3	1630 (739)	1040 (472)
600, 800, 1000, 1200	3 with B	1700(771)	1110(503)
1600, 2000	2	2315 (10550)	1435 (651)
1600, 2000	3	2495 (1132)	1685 (764)
1600, 2000	3 with B	2675 (1213)	1935 (878)
3000	3	2730 (1240)	1690 (768)
3000	3 with B	3360 (1525)	1980 (899)
4000	3	6300 (2858)	—
4000	3 with C	6900 (3130)	—

- Notes: 1. Open weights include transfer switch, bypass-isolation switch and control panel.
 1600-4000 amp enclosures require ventilation openings, refer to drawings for details.
 Export shipments may require a wooden box, contact ASCO for weights and dimensions.
 *All dimensions and weights shown are approximate and should not be used for construction purposes. Certified dimensions can be furnished upon request.

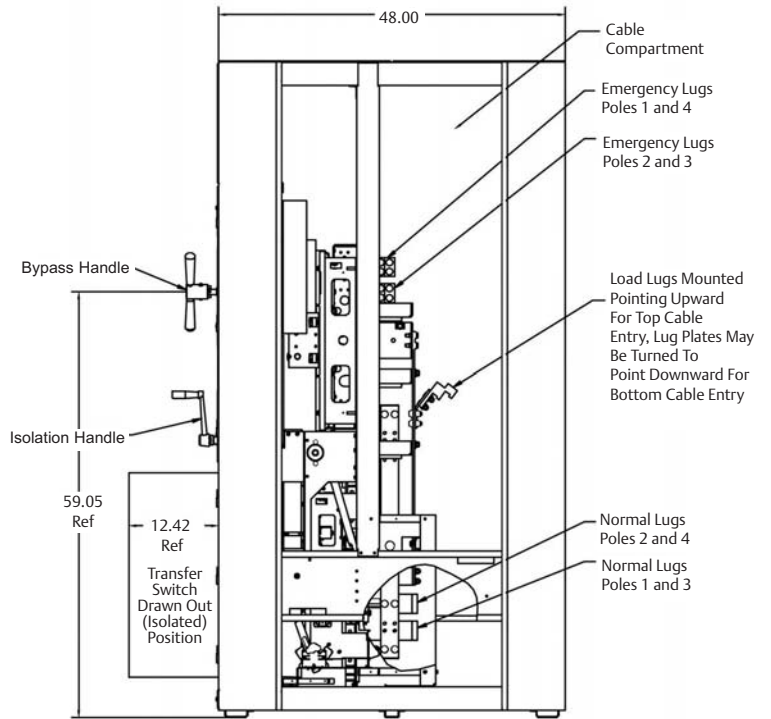
ASCO® 7000 SERIES Designed to Fit Anywhere*

Standard and Optional Power Connection Configurations for 600-800 Amp, Automatic Transfer Bypass Isolation Switches 7ATE, 7NTE, 7ADTB, 7ACTB, 7NDTB, 7NCTB

Standard Rear Connected Design

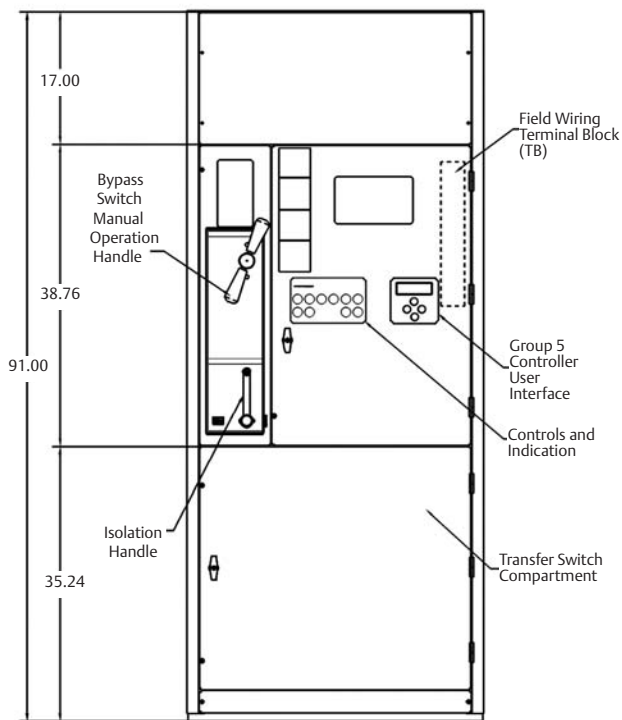


Front View (Covers Installed)

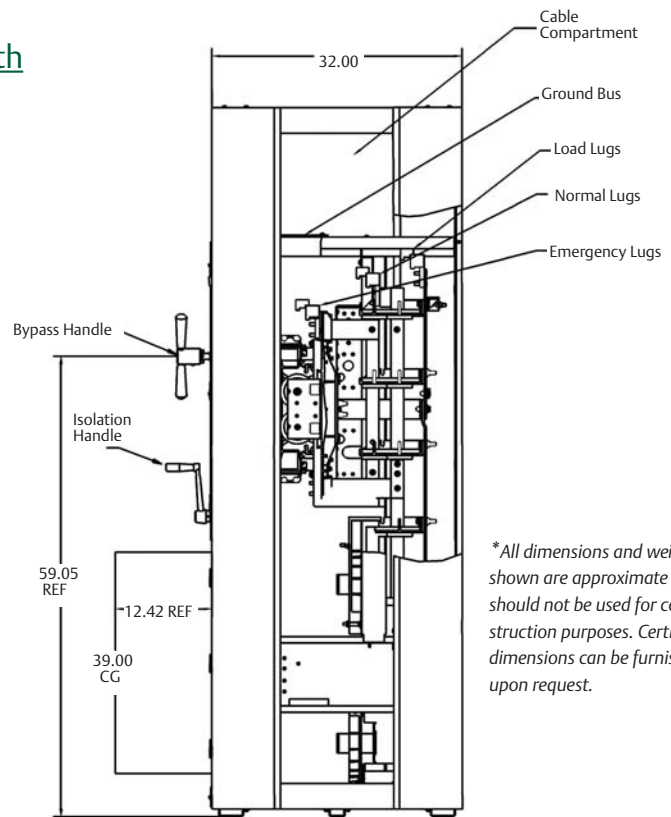


Right Side View (Covers Removed)

Optional Front Connected Design- 32 Inch Depth



Front View
(Doors and Top Covers Installed)



Right Side View
(Covers Removed)

*All dimensions and weights shown are approximate and should not be used for construction purposes. Certified dimensions can be furnished upon request.

ASCO Power Technologies®

ASCO Power Technologies
FLORHAM PARK, NEW JERSEY 07932
USA

800 800 ASCO
WWW.ASCOPOWER.COM

ASIA

AUSTRALIA

BRAZIL

CANADA

GERMANY

JAPAN

MEXICO

SOUTH AFRICA

SOUTH AMERICA

UNITED ARAB EMIRATES

UNITED KINGDOM

UNITED STATES

Emerson Network Power.

The world leader in business-critical continuity.

■ AC Power Systems

■ Embedded Power

■ Power Switching & Controls

■ Site Monitoring

■ Connectivity

■ Integrated Cabinet Solutions

■ Precision Cooling

■ Surge & Signal Protection

■ DC Power Systems

■ Outside Plant

■ Services

EmersonNetworkPower.com